



TyRod CYLINDERS



OEM HYDRAULIC CYLINDER SPECIALISTS

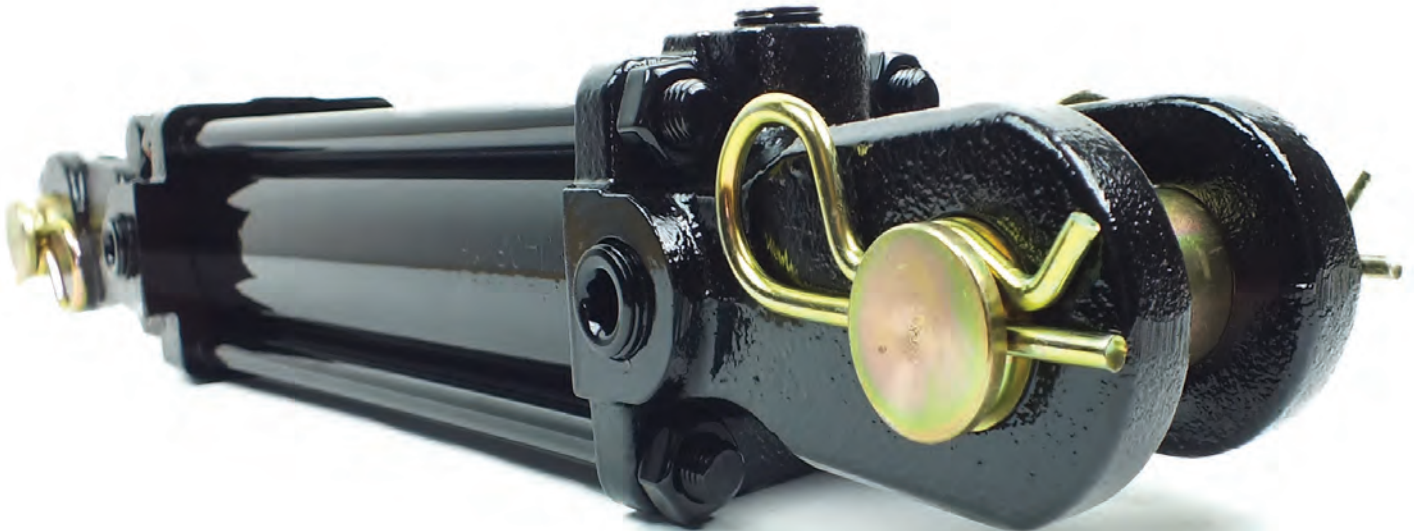


TyRod CYLINDERS

TyRod™ by RAM are a clevis type hydraulic cylinder designed to meet the requirements of both OEM and after-market users. These standard cylinders are designed to be utilized by many industries and various applications. TyRod cylinders provide many different configurations to help you find the right for your application. Available in 2500 PSI and 3000 PSI, with bore sizes from 2" to 4". Stroke lengths are also available up to 24".

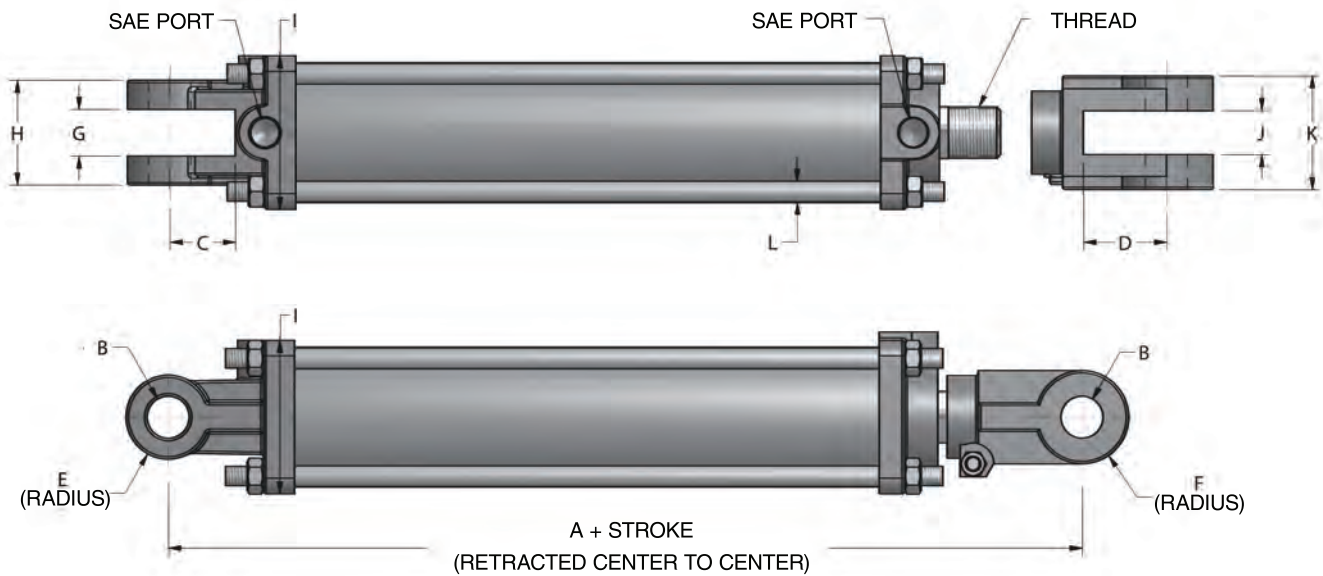
STANDARD FEATURES

Intended Use:	Double acting applications	Tie Rod:	High tensile ASTM 5140 rolled threads
Rated Pressure:	2500 or 3000 PSI	Pin & Pin Clip:	High tensile zinc-plated steel
Rod Material:	High tensile SAE C1045, ground and polished hard chrome plated	End Mounts:	Female clevis, ductile iron 65-45-12 (ASTM A536) with pins & clips included
Barrel Material:	High tensile SAE C1026/St52.3 cold drawn tube precision honed for extended seal life	Clevis Clamp:	Grade 10.9 bolt and nut
Gland Material:	Ductile iron 65-45-12 (ASTM A536)	Ports:	NPTF or SAE
Piston Material:	Ductile iron 65-45-12 (ASTM A536)	Port Plugs:	High quality steel
Piston Locknut:	High tensile grade 10	Internal Seals:	North American
		Paint Finish:	Black (or custom colors)
		Testing:	100% full cycle tested



TyRod[®] 3000 PSI

Tyrod™ by RAM 3000 PSI are heavy duty tie rod cylinders made with the highest quality materials and parts with a rated pressure of 3000 PSI. These cylinders provide reliable output of 3000 PSI continuous pressure. In addition to RAM standard features, these cylinders feature SAE ports.



Bore (inches)	A	B	C	D	E	F	G	H	I	J	K	L	Ports	Threads
2.00	10.25*	1.00	2.00	2.13	1.00	1.00	1.17	2.50	2.76	1.17	2.50	0.39	SAE-8	1 1/8" - 12 UNF
2.50	10.25*	1.00	2.00	2.13	1.00	1.00	1.17	2.50	3.30	1.17	2.50	0.39	SAE-8	1 1/8" - 12 UNF
3.00	10.25*	1.00	2.00	2.13	1.00	1.13	1.17	2.56	3.80	1.17	2.72	0.47	SAE-8	1 1/4" - 12 UNF
3.50	10.25*	1.00	2.00	2.13	1.13	1.13	1.17	2.56	4.25	1.17	2.72	0.55	SAE-8	1 1/4" - 12 UNF
4.00	10.25*	1.00	2.00	2.13	1.25	1.13	1.17	2.76	4.92	1.17	2.72	0.63	SAE-8	1 1/4" - 12 UNF

Measurements for A, B, C, D, E, F, G, H, I, J, K, L are in inches.

*For the standard ASAE (8" stroke) cylinders this dimension is 12.25".
All specifications are subject to change without notice.

Bore (inches)	RAM Part Number	Stroke (inches)	Rod Diameter (inches)	Pin Center to Center (inches)		Ports	Pin Diameter Nominal (inches)	Maximum Rated Pressure & Column Load on Full Extension		Shipping Weight (lbs)
				Retracted	Extended			Pressure (PSI)	Load (lbf)	
2.00	R4507471*	8	1.125	20.25	28.25	SAE-8	1.000	3000	9425	19
2.50	R4507475*	8	1.125	20.25	28.25	SAE-8	1.000	3000	14725	22
3.00	R4507479*	8	1.250	20.25	28.25	SAE-8	1.000	3000	21205	29
	R4507481	16	1.500	26.25	42.25					37
3.50	R4507483*	8	1.500	20.25	28.25	SAE-8	1.000	3000	28860	31
	R4507485	16	1.500	26.25	42.25					36
4.00	R4507487*	8	1.500	20.25	28.25	SAE-8	1.000	3000	37695	39

*Conforms to ASAE (American Society of Agricultural Engineers) specifications.

All specifications are subject to change without notice.
All weights are approximate shipping weights.

TYROD PARTS

RAM TyRod Cylinder Seal Kits			
Bore (inches)	RAM Part Number	Rod Diameter (inches)	Shipping Weight (lbs)
2.00	R3607007	1.125	0.04
2.50	R3607013	1.125	0.05
3.00	R3607026	1.250	0.06
	R3607033	1.500	0.07
3.50	R3607039	1.250	0.07
	R3607046	1.500	0.07
4.00	R3607052	1.500	0.07
	R3607061	2.000	0.08

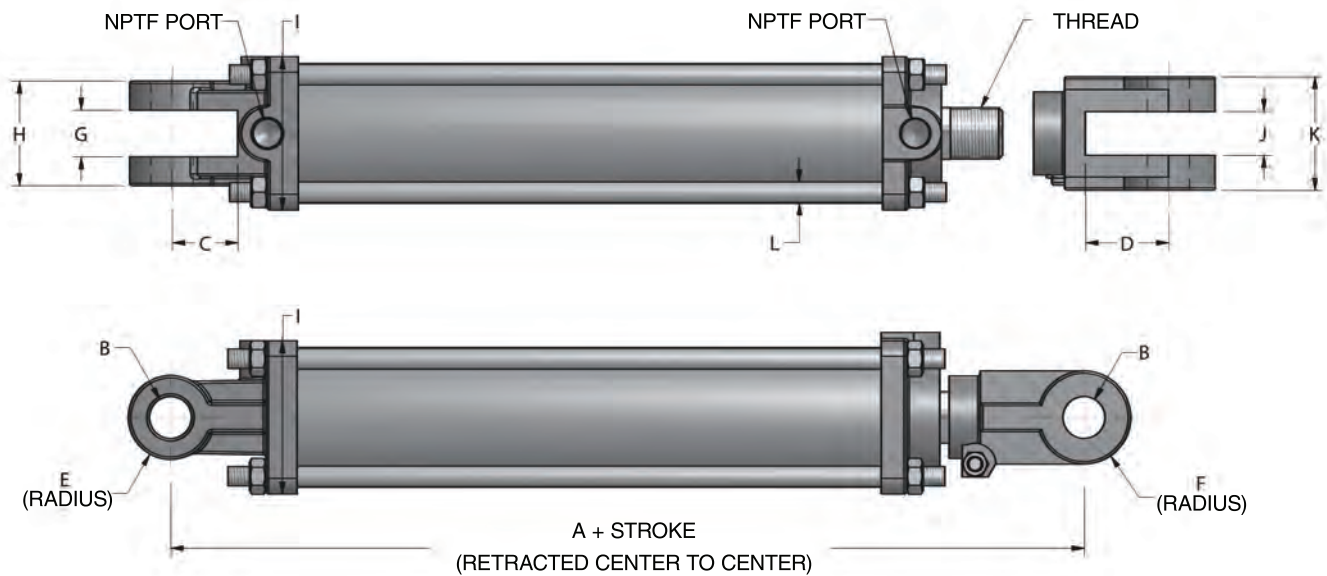
All specifications are subject to change without notice.
All weights are approximate shipping weights.

RAM TyRod Cylinder Components			
RAM Part Number	Component	Size	Shipping Weight (lbs)
R7600456	Shaft Clevis	Fits 1 1/8" Shaft	3.30
R7600455	Shaft Clevis	Fits 1 1/4" Shaft	3.30
R7600455	Shaft Clevis	Fits 1 1/2" Shaft	3.30
R7600455	Shaft Clevis	Fits 2" Shaft	3.30
R3006631	Pin	1" x 2 7/8"	0.80
R3006300	Clip	Hairpin Clip	0.02

All specifications are subject to change without notice.
All weights are approximate shipping weights.

TyRod[®] 2500 PSI

Tyrod™ by RAM 2500 PSI are standard duty tie rod cylinders made with the highest quality materials and parts with a rated pressure of 2500 PSI. These cylinders provide reliable output of 2500 PSI continuous pressure. In addition to RAM standard features, these cylinders feature NPTF ports.



Bore (inches)	A	B	C	D	E	F	G	H	I	J	K	L	Ports	Threads
2.00	10.25*	1.00	2.00	2.13	1.00	1.00	1.13	2.50	2.76	1.17	2.50	0.39	3/8 NPTF	1 1/8" - 12 UNF
2.50	10.25*	1.00	2.00	2.13	1.00	1.00	1.13	2.50	3.30	1.17	2.50	0.39	3/8 NPTF	1 1/8" - 12 UNF
3.00	10.25*	1.00	2.00	2.13	1.00	1.13	1.13	2.56	3.80	1.17	2.72	0.47	1/2 NPTF	1 1/4" - 12 UNF
3.50	10.25*	1.00	2.00	2.13	1.13	1.13	1.17	2.56	4.25	1.17	2.72	0.55	1/2 NPTF	1 1/4" - 12 UNF
4.00	10.25*	1.00	2.00	2.13	1.25	1.13	1.17	2.76	4.92	1.17	2.72	0.63	1/2 NPTF	1 1/4" - 12 UNF

Measurements for A, B, C, D, E, F, G, H, I, J, K, L are in inches.

*For the standard ASAE (8" stroke) cylinders this dimension is 12.25".

All specifications are subject to change without notice.



2500 PSI
TyRod CYLINDERS

Bore (inches)	RAM Part Number	Stroke (inches)	Rod Diameter (inches)	Pin Center to Center (inches)		Ports	Pin Diameter Nominal (inches)	Maximum Rated Pressure & Column Load on Full Extension		Shipping Weight (lbs)
				Retracted	Extended			Pressure (PSI)	Load (lbf)	
2.00	R4507001	6	1.125	16.25	22.25	3/8 NPTF	1.000	2500	7855	18
	R4507003*	8	1.125	20.25	28.25					19
	R4507004	10	1.125	20.25	30.25					20
	R4507005	12	1.125	22.25	34.25					21
	R4507007	16	1.125	26.25	42.25					23
	R4507010	24	1.125	34.25	58.25			2190	6850	27
2.50	R4507016*	8	1.125	20.25	28.25	3/8 NPTF	1.000	2500	12270	22
	R4507017	10	1.125	20.25	30.25					22
	R4507018	12	1.125	22.25	34.25					24
	R4507020	16	1.125	26.25	42.25					27
	R4507021	18	1.125	28.25	46.25					28
	R4507023	24	1.125	34.25	58.25			2125	10435	33
3.00	R4507029*	8	1.250	20.25	28.25	1/2 NPTF	1.000	2500	17670	29
	R4507030	10	1.250	20.25	30.25					28
	R4507031	12	1.250	22.25	34.25					29
	R4507033	16	1.250	26.25	42.25			37		
	R4507034	18	1.250	28.25	46.25			2340	16560	35
	R4507036	24	1.500	34.25	58.25			2500	17670	46
3.50	R4507042*	8	1.250	20.25	28.25	1/2 NPTF	1.000	2500	24055	31
	R4507043	10	1.250	20.25	30.25					30
	R4507044	12	1.250	22.25	34.25					33
	R4507046	16	1.250	26.25	42.25			2060	19840	36
	R4507047	18	1.250	28.25	46.25			1720	16540	40
	R4507049	24	1.500	34.25	58.25			2250	21645	51
4.00	R4507055*	8	1.500	20.25	28.25	1/2 NPTF	1.000	2500	31415	39
	R4507056	10	1.500	20.25	30.25					40
	R4507057	12	1.500	22.25	34.25					43
	R4507059	16	1.500	26.25	42.25					48
	R4507060	18	1.500	28.25	46.25					49
	R4507062	24	2.000	34.25	58.25					65

*Conforms to ASAE (American Society of Agricultural Engineers) specifications.

All specifications are subject to change without notice.
All weights are approximate shipping weights.



RAM INDUSTRIES INC.

PO Box 5007 33 York Rd E Yorkton, SK S3N3Z4 Canada

T: 1-877-799-1005 • F: (306) 786-2651

www.ramindustries.com • sales@ramindustries.com

www.ramindustries.com

Hydraulic Cylinder Design & Manufacturing • Precision Custom Machining

