



# THUMB CYLINDERS



EXPERIENCE • EXPERTISE • QUALITY • SERVICE

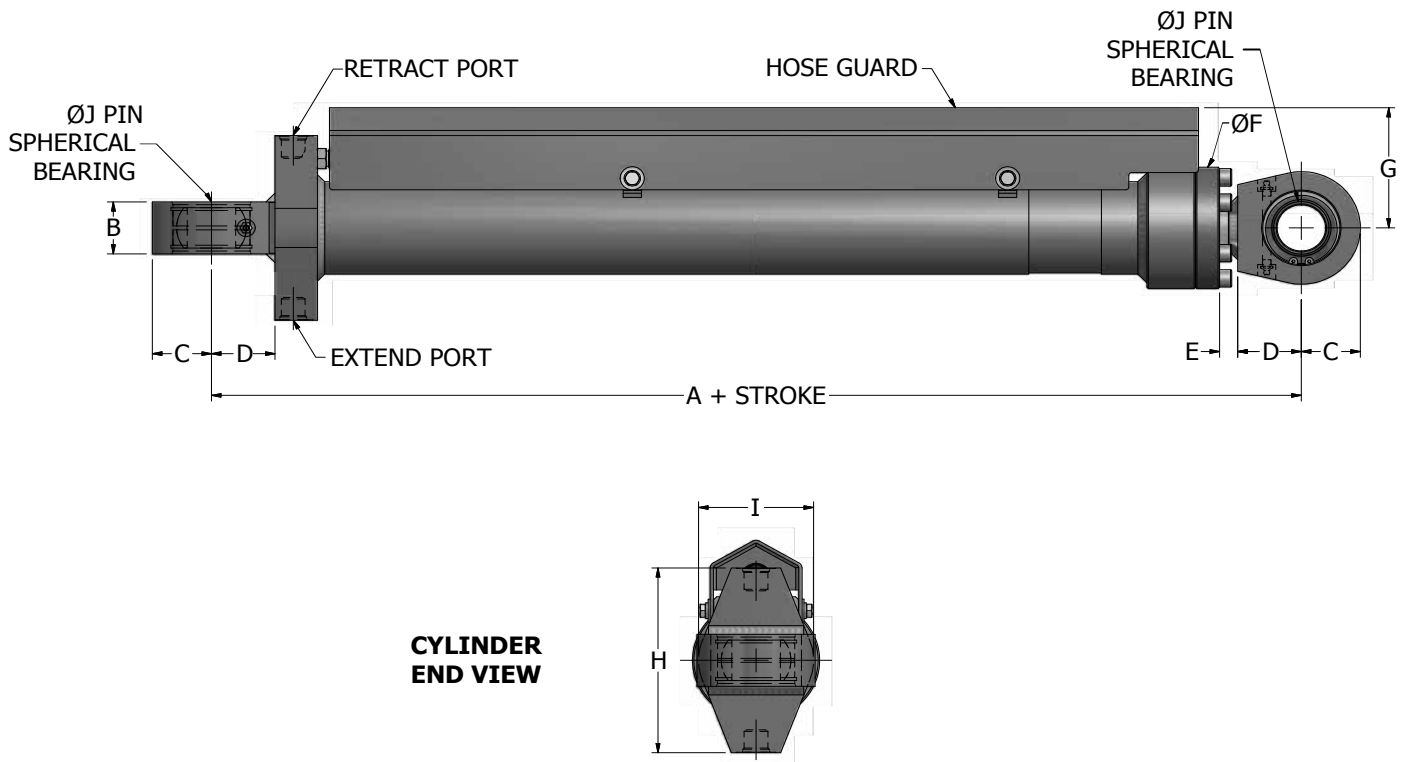


# THUMB CYLINDERS

**RAM** Thumb cylinders are high quality welded cylinders specifically designed for use on mini excavators, tracked excavators, wheeled excavators and backhoes for hydraulic thumb applications.

The Thumb Cylinder design offers many unique features to protect the cylinder and equipment when operating in rugged working conditions. The Thumb Cylinder's construction was specifically designed to ensure a long working life, while simplifying any routine servicing requirements in the shop or on the job site. Standard features include:

- Steel guided transfer hose
- Oversized spherical bearing mounts
- Custom seal package that includes wear rings and high pressure seals
- CAT style heavy duty nut
- Oversized piston stem
- Fixed cushions on both cylinder ends
- Bolt in gland with high tensile head bolts



**CYLINDER  
END VIEW**

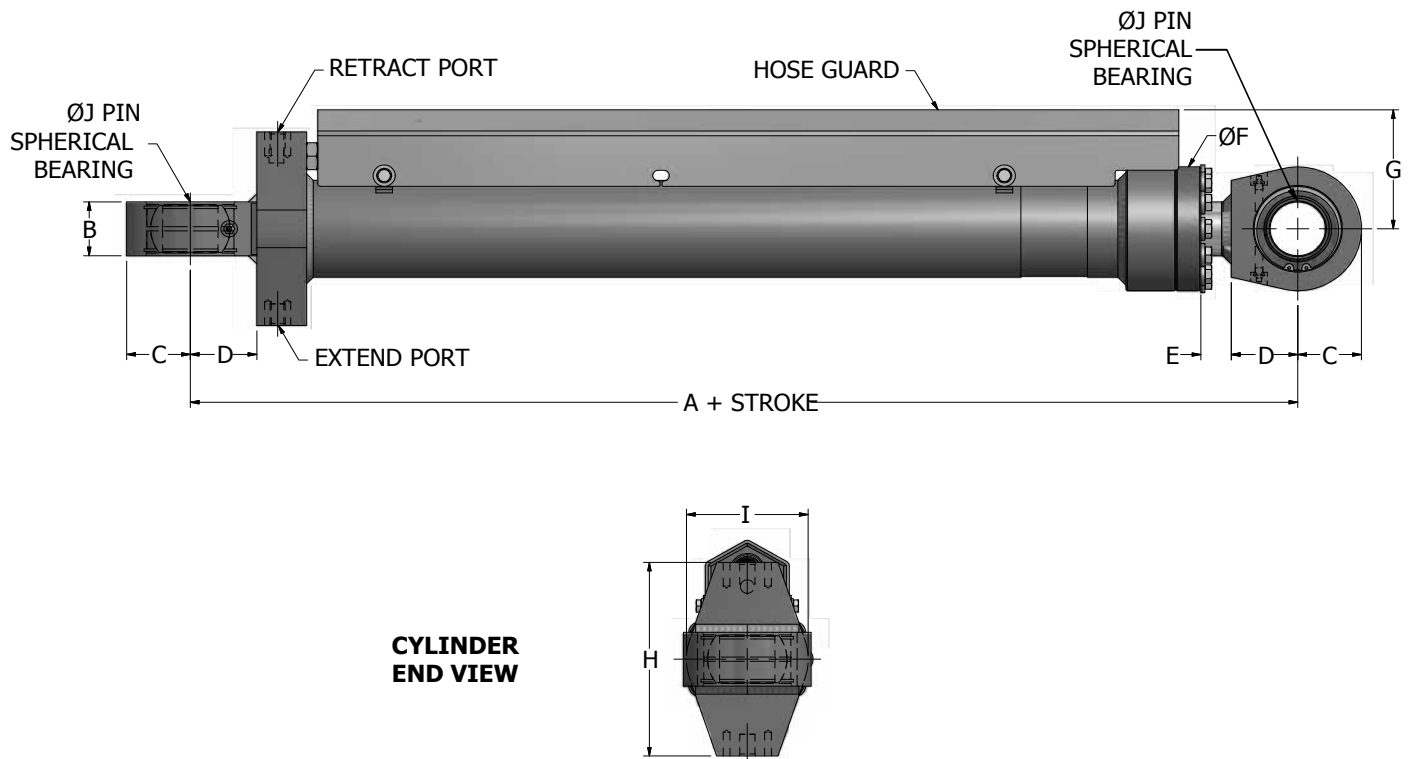
Bore (inches)	A	B	C	D	E	F	G	H	I	J	Rod Diameter (inches)	Ports
3.00	11.50	1.75	2.00	2.25	0.75	4.38	4.81	7.00	4.25	1.50	1.75	SAE-8
3.50	13.00	2.25	2.44	2.63	0.75	5.25	5.19	8.00	4.75	2.00	2.00	SAE-12

All Specifications are subject to change without notice.

# STANDARD FEATURES

**Intended Use:** Double acting applications  
**Rod Material:** High tensile SAE C1045 induction hardened, ground and polished hard chrome plated  
**Barrel Material:** High tensile SAE C1026/St52.3 cold drawn tube precision honed for extended seal life  
**Gland Material:** Ductile iron 65-45-12 (ASTM A536)

**Piston Material:** Ductile iron 65-45-12 (ASTM A536)  
**Piston Locknut:** CAT style high tensile grade C  
**End Mounts:** Tangs c/w spherical bearing  
**Ports:** SAE Code 61  
**Port Plugs:** High quality steel  
**Internal Seals:** North American  
**Paint Finish:** 2 part urethane black (or custom colors)  
**Testing:** 100% full cycle tested



Bore (inches)	A	B	C	D	E	F	G	H	I	J	Rod Diameter (inches)	Ports
4.00	15.00	2.50	2.88	3.00	1.38	5.75	5.50	9.00	5.50	2.50	2.50	#12 (3/4) CODE 61
5.00	15.25	2.50	2.88	3.00	1.38	7.00	6.25	10.00	6.50	2.50	3.00	#12 (3/4) CODE 61

All Specifications are subject to change without notice.



## **RAM** INDUSTRIES INC.

PO Box 5007 33 York Rd E Yorkton, SK S3N3Z4 Canada

T: 1-877-799-1005 • F: (306) 786-2651

[www.ramindustries.com](http://www.ramindustries.com) • [sales@ramindustries.com](mailto:sales@ramindustries.com)



[www.ramindustries.com](http://www.ramindustries.com)

Hydraulic Cylinder Design & Manufacturing • Precision Custom Machining