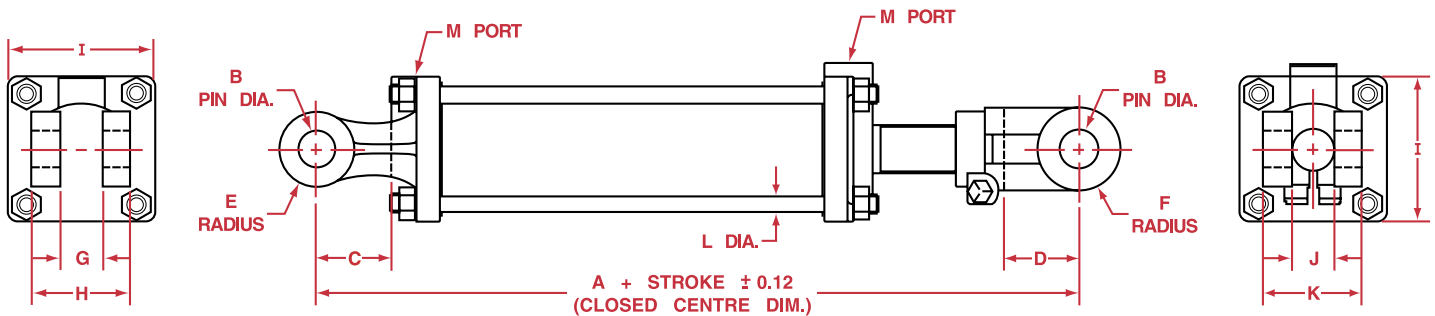


TyRodTM BY RAM

Hydraulic Cylinder Dimensional Data



Dimension in Inches
Non ASAE Cylinders

Bore Size	A	B	C	D	E	F	G	H	I	J	K	L	M
2.00	10.25	1.00	1.63	2.00	1.00	1.13	1.13	1.50	2.84	1.13	2.74	0.375	3/8 NPT
2.50	10.25	1.00	1.63	2.00	1.00	1.13	1.13	1.50	3.15	1.13	2.74	0.375	3/8 NPT
3.00	10.25	1.00	1.63	2.00	1.00	1.13	1.13	1.50	3.70	1.13	2.74	0.500	1/2 NPT
3.50	10.25	1.00	1.63	2.00	1.13	1.13	1.13	1.50	4.25	1.13	2.74	0.563	1/2 NPT
4.00	10.25	1.00	1.63	2.00	1.13	1.13	1.13	2.63	4.92	1.13	2.74	0.625	1/2 NPT

Dimension in Inches
ASAE Cylinders

Bore Size	A	B	C	D	E	F	G	H	I	J	K	L	M
2.00	12.25	1.00	1.63	2.00	1.00	1.13	1.13	1.50	2.84	1.13	2.74	0.375	3/8 NPT
2.50	12.25	1.00	1.63	2.00	1.00	1.13	1.13	1.50	3.15	1.13	2.74	0.375	3/8 NPT
3.00	12.25	1.00	1.63	2.00	1.00	1.13	1.13	1.50	3.70	1.13	2.74	0.500	1/2 NPT
3.50	12.25	1.00	1.63	2.00	1.13	1.13	1.13	1.50	4.25	1.13	2.74	0.563	1/2 NPT
4.00	12.25	1.00	1.63	2.00	1.13	1.13	1.13	2.63	4.92	1.13	2.74	0.625	1/2 NPT



RAM Industries Inc.

Ram Industries Inc. 33 York Road East PO Box 5007 Yorkton SK S3N 3Z4 CANADA
Tel: 306.786.2677 Toll Free 1.877.799.1005 Fax: 306.786.2651 www.ramindustries.com