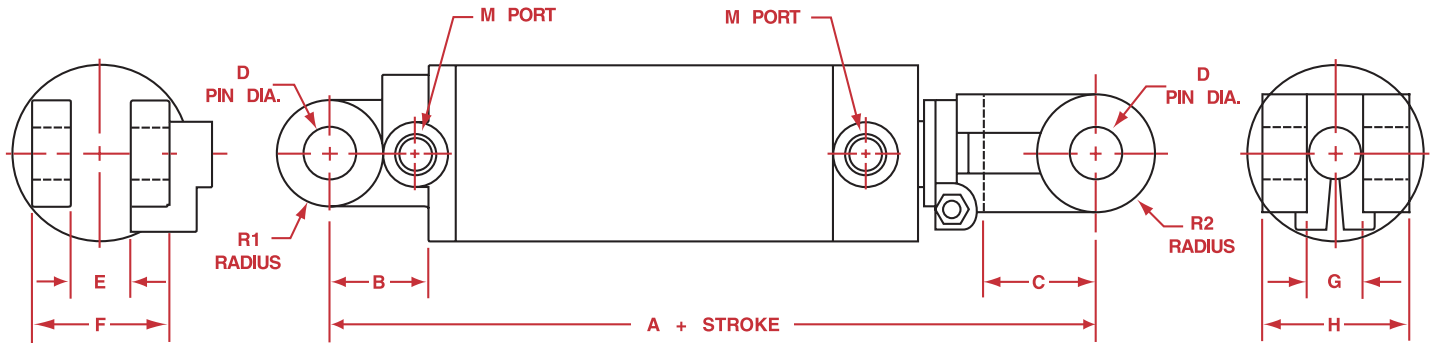


# RAMLOK™

## Hydraulic Cylinder Dimensional Data



Dimension in Inches  
Non ASAE Cylinders

Bore Size	A	B	C	R1	R2	D	E	F	G	H	M
2.00	10.25	1.88	2.00	1.00	1.13	1.00	1.13	2.50	1.06	2.79	# 6 ORB (0.563-18 UN)
2.50	10.25	1.88	2.00	1.00	1.13	1.00	1.13	2.63	1.06	2.79	# 6 ORB (0.563-18 UN)
3.00	10.25	1.88	2.00	1.00	1.13	1.00	1.13	2.63	1.06	2.79	# 8 ORB (0.750-16 UN)
3.50	10.25	1.88	2.00	1.13	1.13	1.00	1.13	2.63	1.06	2.79	# 8 ORB (0.750-16 UN)
4.00	10.25	1.88	2.00	1.13	1.13	1.00	1.13	2.81	1.06	2.79	# 8 ORB (0.750-16 UN)

Dimension in Inches  
ASAE Cylinders

Bore Size	A	B	C	R1	R2	D	E	F	G	H	M
2.00	12.25	1.88	2.00	1.00	1.13	1.00	1.13	2.50	1.06	2.79	# 6 ORB (0.563-18 UN)
2.50	12.25	1.88	2.00	1.00	1.13	1.00	1.13	2.63	1.06	2.79	# 6 ORB (0.563-18 UN)
3.00	12.25	1.88	2.00	1.00	1.13	1.00	1.13	2.63	1.06	2.79	# 8 ORB (0.750-16 UN)
3.50	12.25	1.88	2.00	1.13	1.13	1.00	1.13	2.63	1.06	2.79	# 8 ORB (0.750-16 UN)
4.00	12.25	1.88	2.00	1.13	1.13	1.00	1.13	2.81	1.06	2.79	# 8 ORB (0.750-16 UN)



**RAM Industries Inc.**

Ram Industries Inc. 33 York Road East PO Box 5007 Yorkton SK S3N 3Z4 CANADA  
Tel: 306.786.2677 Toll Free 1.877.799.1005 Fax: 306.786.2651 www.ramindustries.com